

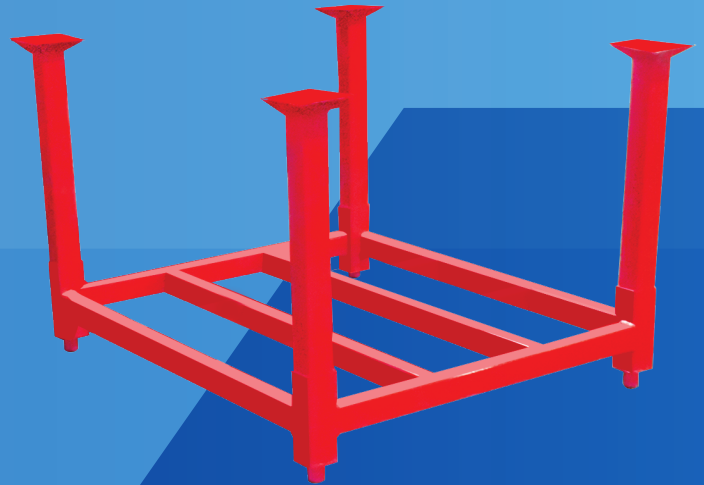
# NSMC

## Design Your Own Stacking Rack

NSMC Portable Stacking racks are beneficial in cost, time, and space saving versatility.

Stacking racks aid in storage of finished or raw materials feeds production lines, and moves parts between operations or locations.

NSMC specializes in the manufacturing of reusable shipping racks and containers (with a focus on lowering your carbon footprint, maximizing your storage space, and lowering your transportation costs).



# NSMC

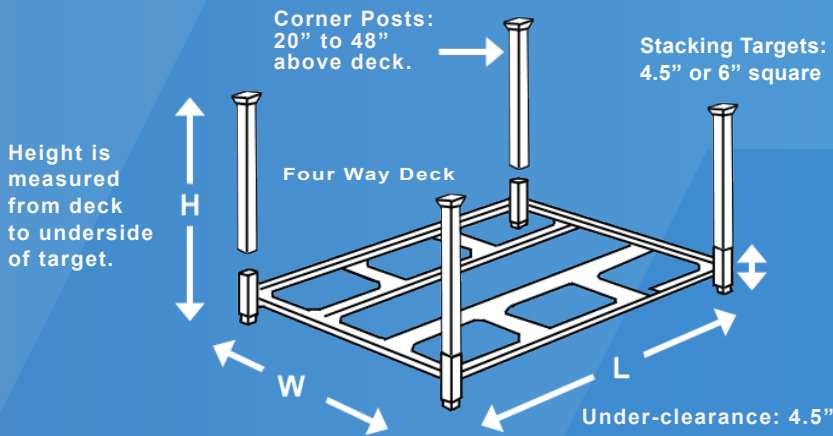
**Nelson Sales & Marketing Company**  
Returnable Steel Racks & Wire Baskets

[www.nsmc-steel-racks.com](http://www.nsmc-steel-racks.com) | [sales@nsmc-steel-racks.com](mailto:sales@nsmc-steel-racks.com)

**Call 563-271-3472**

# Portable Stacking Rack Features

## SPECIFICATIONS

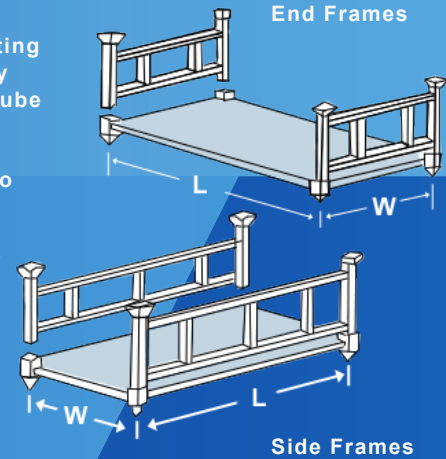


## END & SIDE FRAMES

Frames prevent shifting of product especially cylindrical such as tube or fabric rolls.

Eliminates damage to fragile items.

Facilitates inventory by containment of specified quantities.



### BASE FRAMES: Four Way Entry is Standard on All Models

Outside Dimensions		2000 lb. Capacity		4000 lb. Capacity	
Width	Length	Model #	WT/LBS	Model #	WT/LBS
36"	42"	3642-2	44	3642-4	59
	48"	3648-2	50	3643-4	68
	54"	3654-2	56	3654-4	76
	60"	3660-2	62	3660-4	85
42"	42"	4242-2	55	4242-4	74
	48"	4248-2	60	4248-4	81
	54"	4254-2	65	4254-4	86
	60"	4260-2	76	4260-4	94
48"	48"	4848-2	65	4848-4	92
	54"	4854-2	70	4854-4	97
	60"	4860-2	82	4060-4	102
60"	60"	6060-2	98	6060-4	138

### END & SIDE FRAMES SPECIFICATIONS:

Width or Length	Height above Deck	2000 lb. Capacity Set of Two		4000 lb. Capacity Set of Two	
		Model #	WT/LBS	Model #	WT/LBS
36"	24"	SF-3624-2	38	EF-3624-4	59
	30"	SF-3630-2	42	EF-3630-4	66
	36"	SF-3636-2	48	EF-3636-4	74
	42"	SF-3642-2	52	EF-3642-4	81
42"	48"	SF-3648-2	56	EF-3648-4	89
	24"	SF-4224-2	42	EF-4224-4	67
	30"	SF-4230-2	48	EF-4230-4	75
	36"	SF-4236-2	54	EF-4236-4	84
48"	42"	SF-4242-2	59	EF-4242-4	95
	48"	SF-4248-2	61	EF-4248-4	101
	24"	SF-4824-2	45	EF-4824-4	71
	30"	SF-4830-2	48	EF-4830-4	79
*54"	36"	SF-4836-2	54	EF-4836-4	88
	42"	SF-4842-2	59	EF-4842-4	99
	48"	SF-4848-2	64	EF-4848-4	105
	24"	SF-5424-2	49	EF-5424-4	77
*60"	30"	SF-5430-2	56	EF-5430-4	87
	36"	SF-5436-2	62	EF-5436-4	96
	42"	SF-5442-2	68	EF-5442-4	105
	48"	SF-5448-2	73	EF-5448-4	114
	24"	SF-6024-2	51	EF-6024-4	81
	30"	SF-6030-2	58	EF-6030-4	91
*60"	36"	SF-6036-2	64	EF-6036-4	100
	42"	SF-6042-2	70	EF-6042-4	109
	48"	SF-6048-2	75	EF-6048-4	118

\* Side Frames over 48" Height Require 6" Targets

### CORNER POSTS: Set of Four

Height above Deck	2000 lb. Capacity		4000 lb. Capacity	
	Model	WT/LBS	Model #	WT/LBS
20"	20-2	20	20-4	31
24"	24-2	22	24-4	35
28"	28-2	24	28-4	39
30"	30-2	26	30-4	41
34"	34-2	29	34-4	44
36"	36-2	30	36-4	47
40"	40-2	32	40-4	50
44"	44-2	35	44-4	55
48"	48-2	37	48-4	59

### 2000 lb Capacity

Corner Post  
1 1/2" Square Tube

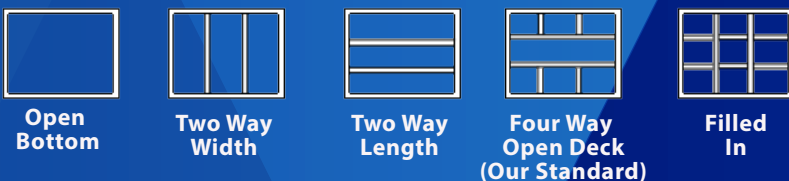
Sockets  
1 3/4" Square Tube

### 4000 lb Capacity

Corner Post  
2.170" Square Tube

Sockets  
2 1/2" Square Tube

### BASE STYLES:



### DECK STYLES:



**NSMC**

www.nsmc-steel-racks.com  
P. (563) 271-3472 | sales@nsmc-steel-racks.com